

VFS Butterfly Valves



Butterfly valve in stainless steel, designed to meet sanitary processing system requirements, composed of two heads and a shutter disk enclosed in a seal gasket. Thanks to their internal design and the wide bore, they guarantee a gentle treatment of the product flow, a minimization of turbulence, contamination and a low pressure drop. The liquid can flow in either direction and the valve operates as an ON/OFF system. The seal gasket is conceived to be flush to the internal passage, avoiding product entrapment.



ADVANTAGES:

- ✓ Hygienic design
- ✓ Low pressure drop and minimization of turbulence
- ✓ Quick, quarter-turn operation
- ✓ Easy to automate pneumatically
- ✓ Wide range of applications
- ✓ Simple and fast maintenance
- ✓ Certified materials for Pharmaceutical use
- ✓ Full traceability

APPLICATION:

Designed for meeting the requirements of the plants in the Pharmaceutical, Food & Beverage, Cosmetics, Dairy, Fine Chemicals industries.

The hygienic design is completed by the heads assembled by means of hidden screws and the internal and external surface finishing.

Size range	From 3/4" up to 10"
End connections	Tri-Clamp or butt weld dimensionally according to ASME BPE
Stainless steel in contact parts Material	AISI 316L - 1.4404
Seal Material	SILICONE (standard) - EPDM ("till 2" included) - FKM
Internal surface finish	Ra ≤ 0.5µm
Working pressure rating	From 3/4" to 4" Vacuum ÷ 10 barg From 6" to 10" Vacuum ÷ 6 barg
Working temperature rating	0°C ÷ 150°C [Only for sterilization or short time]
Certifications	3.1 material certificates (in contact) according to UNI EN 10204 FDA USP Class VI ATEX other certificates on request

*For actuators and optional see page 3

For further details about codes and download of the drawings, visit our
[CONFIGURATOR](#)

CONFIGURATOR



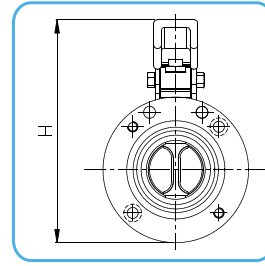
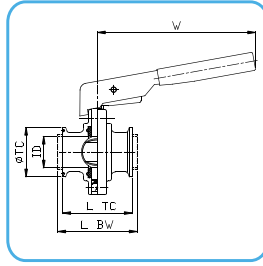
DATASHEETS



Last updates can be found on our website - www.aerreinox.it
In the interests of development of the product, we reserve the right to change the specifications without prior notice



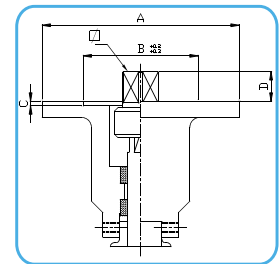
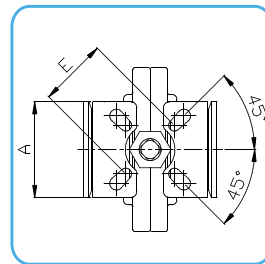
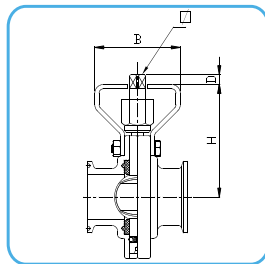
MANUAL HANDLE



CODE	Size inch	ØTC mm	ID mm	LTC mm	LBW mm	W mm	H mm
VFS-075AHAH-XM2P-1 1A	¾"	25	15.75	65	65	160	138
VFS-100AJAJ-XM2P-1 1A	1"	50.5	22.1	65	65	156	124
VFS-150AMAM-XM2P-1 1A	1" ½	50.5	34.8	70	70	160	144
VFS-200ANAN-XM2P-1 1A	2"	64	47.5	70	70	160	162
VFS-250AOAO-XM2P-1 1A	2" ½	77.5	60.2	70	70	160	159
VFS-300APAP-XM2P-1 1A	3"	91	72.9	70	70	160	163
VFS-400ARAR-XM2P-1 1A	4"	119	97.4	80	80	190	208
VFS-600AVAV-XM2P-1 1A	6"	167	146.8	122	74	366	316
VFS-800AWAW-XM2P-1 1A	8"	217.7	197.8	125	125	366	363
VFS-P10AXAX-XM2P-1 1A	10"	268.5	248.6	94	94	366	409

* code **A** = TC Tri-clamp code **B** = BW butt weld
 Seal material code **X** = SILICONE code **V** = FKM code **E** = EPDM

MOUNTING PAD ISO 521 1 FOR PNEUMATIC ACTUATOR



CODE	Size inch	A mm	B mm	C mm	D mm	E mm	ISO	□	Nm	H mm
VFS-075AHAH-XW-1 1A	¾"	50	60	/	12	36/50	F03/F05	14	21	76
VFS-100AJAJ-XW-1 1A	1"	50	60	/	12	36/50	F03/F05	14	21	76
VFS-150AMAM-XW-1 1A	1" ½	50	60	/	12	36/50	F03/F05	14	21	79
VFS-200ANAN-XW-1 1A	2"	60	72	/	13.5	42/50	F04/F05	14	21	100
VFS-250AOAO-XW-1 1A	2" ½	60	72	/	11.5	42/50	F04/F05	17	42	104
VFS-300APAP-XW-1 1A	3"	60	72	/	9	42/50	F04/F05	17	42	111
VFS-400ARAR-XW-1 1A	4"	90	110	/	17.5	70	F07	22	100	127
VFS-600AVAV-XW-1 1A	6"	120	70	3	21	102	F10	22	325	181
VFS-800AWAW-XW-1 1A	8"	120	70	3	15	102	F10	22	325	209
VFS-P10AXAX-XW-1 1A	10"	120	70	3	20	102	F10	27	563	234

* code **A** = TC Tri-clamp code **B** = BW butt weld
 Seal material code **X** = SILICONE code **V** = FKM code **E** = EPDM
 Refer to the table above for other dimensions

CONFIGURATOR

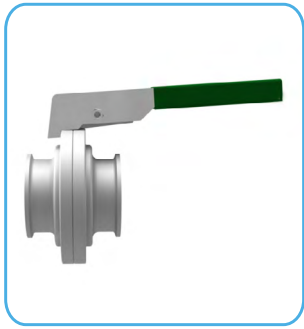


DATASHEETS

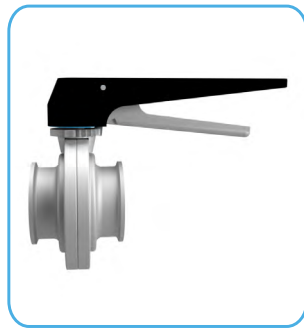


Last updates can be found on our website - www.aerreinox.it
 In the interests of development of the product, we reserve the right to change the specifications without prior notice

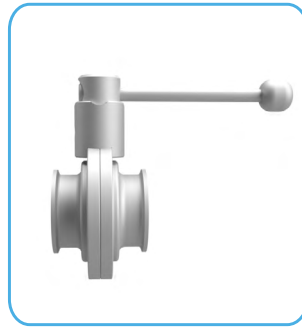




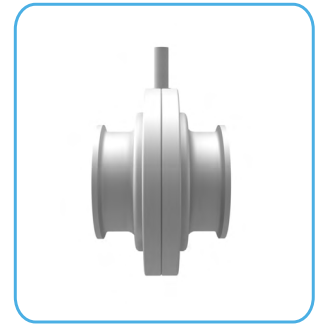
**MANUAL
THERMOPLASTIC 2
POSITIONS**



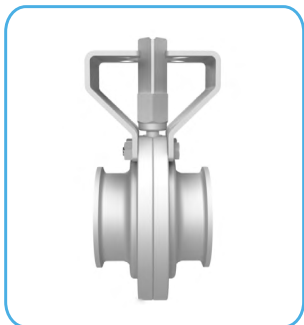
**MANUAL
THERMOPLASTIC
12 POSITIONS**



**STAINLESS STEEL
EXTRACTION HANDLE
2 POSITIONS**



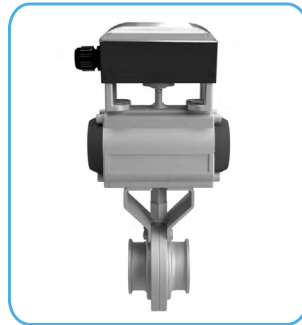
BARE SHAFT



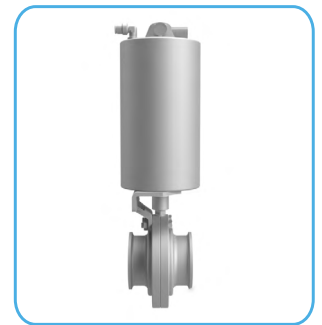
WITH BRACKETS



**PNEUMATIC
ACTUATOR SIMPLE
OR DOUBLE EFFECT**




**PNEUMATIC
ACTUATOR +
SWITCH BOX**



**PNEUMATIC
VERTICAL SIMPLE
EFFECT**

OPTIONAL

- Pneumatic actuator stainless steel simple effect
- Pneumatic actuator stainless steel double effect
- Manual/pneumatic lockable version
- Electropolishing
- Other Materials
- Connections according to other norms
- Customizable on request
- ATEX certification  II 2G Ex h IIB T6...T3 Gb X
II 2D Ex h IIIC T85°C...T165°C Db X

CONFIGURATOR



DATASHEETS



Last updates can be found on our website - www.aerreinox.it
In the interests of development of the product, we reserve the right to change the specifications without prior notice